

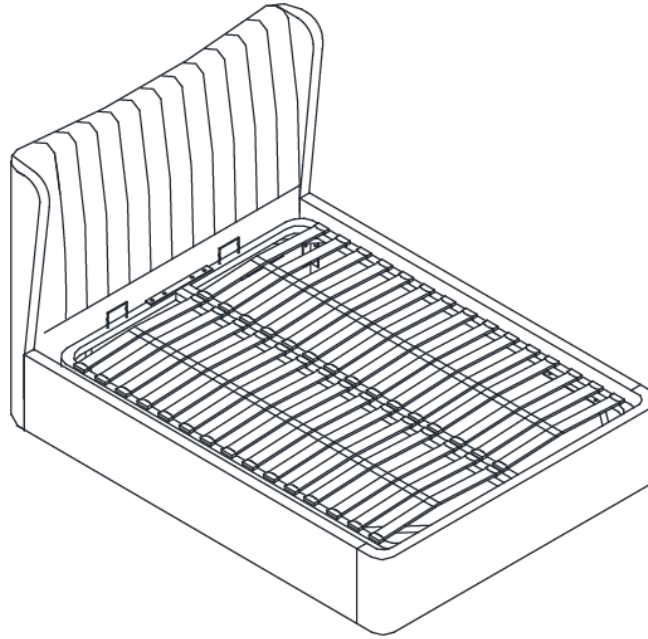


HORTON OTTOMAN BED ASSEMBLY INSTRUCTIONS

Product size:

King: 130cm H x 180cm W x 219cm D

Superking: 130cm H x 210cm W x 219cm



Important - read this guide carefully and retain for future reference.

Ottoman Safety Warnings

- You must ensure that the mattress is on the bed frame before operating the lift mechanism – Failure to do so could result in injury.
- Keep hands clear of the mechanism when opening or closing the ottoman.
- Beware of entrapment – Never reach in through the mechanism to access the storage area.
- Always ensure that the ottoman is FULLY opened before accessing the storage area.
- Do not exceed the maximum mattress weight as specified in the table below:

BED SIZE	Piston Strength (N/M)	Min Mattress Weight (kg)	Max Mattress Weight (kg)
king	1100	30	74
superking	1200	35	88

CHECK ALL FIXING PERIODICALLY TO ENSURE THAT THEY HAVEN'T MOVED OR LOOSENED

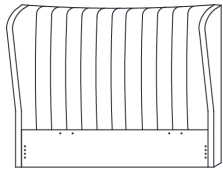


Please retain these assembly instructions for future use



HORTON OTTOMAN BED

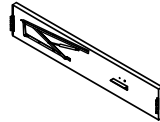
Components supplied (not actual size)



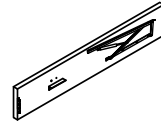
Part A
1 x Headboard



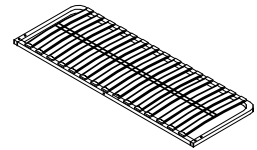
Part B
1 x Footboard



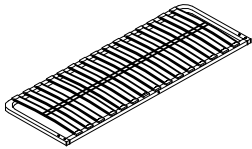
Part C
1 x siderail Left



Part D
1 x siderail Right



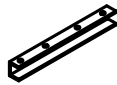
Part E
1 x slat frame Right



Part F
1 x slat frame left



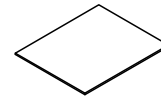
Part G
2 x mattress holder



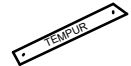
Part H
2 x Joining Brackets



Part I
4 x Support Brackets

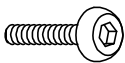


Part J
2 x bottom panel

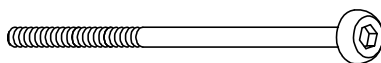


Part K
1 x belt

Fixtures and fittings supplied (not actual size)



a. 22 x Bolt
(M8 x 25mm)
(14 pcs attached to
head/foot board)



b. 1x Bolt
(M8 x 80mm)



c. 8x Bolt
(M6 x 40mm)



d. 6x Bolt
(M6 x 60mm)



e. 6x Nut
(M6)



f. 1x Nut
(M8)



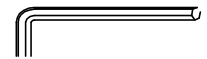
g. 8x Nut
(M6 x 20mm)



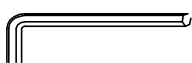
h. 31 x Washer
(M8)
(14 pcs attached to
head/foot board)



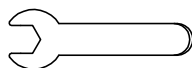
i. 14x Washer
(M6)



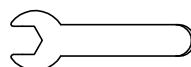
j. 1 x ALLEN KEY
(5#)



k. 2 x ALLEN KEY
(4#)



l. 1 x Spanner
(11mm)



m. 1 x Spanner
(13mm)



n. 14x Washer
(M6)

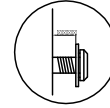
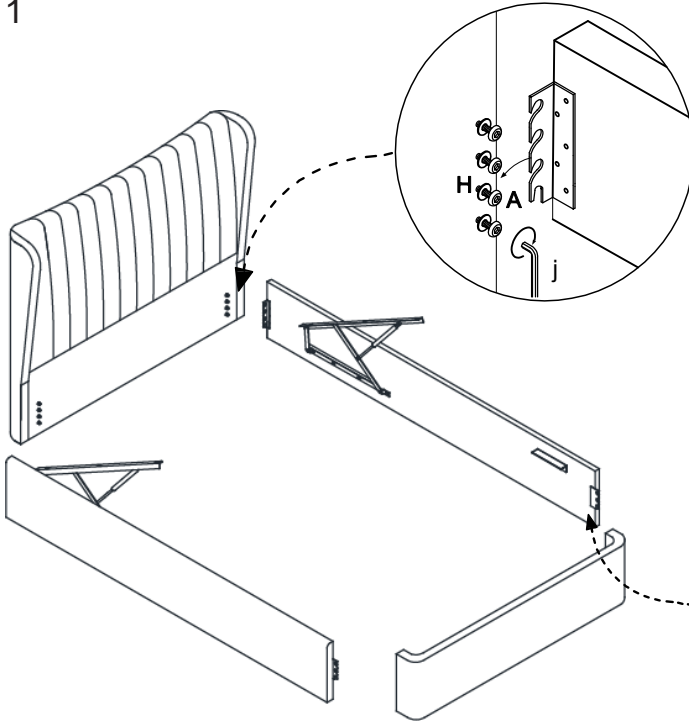


o. 23x Washer
(M8)
(14 pcs attached to
head/foot board)



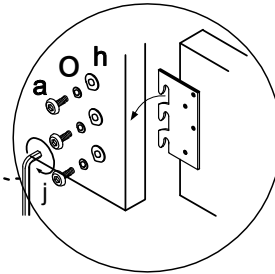
HORTON OTTOMAN BED

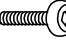



STEP 1

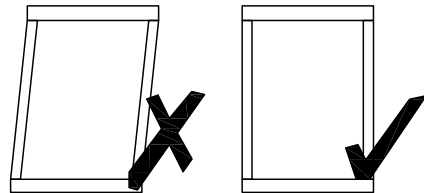


Note: Leave 15 mm protruding as in the diagram

Attach the side rails to the headboard and footboard using Allen key (k) and bolt(a) washer(h) spring washer(o)

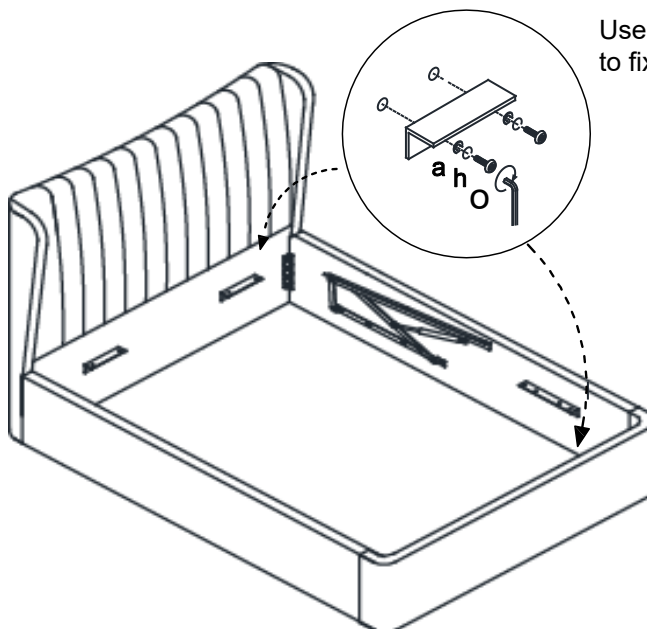


- a  x14
- h  x14
- o  x14
- j  x1



MAKE CERTAIN THE BED IS SQUARED UP .AS SHOWN ON THE RIGHT. Once all four comers are located. make sure the bed is still square as in the sketch.then tighten all the bolts 100% using Allen key (K).

STEP 2



Use bolt (a) ,Washer (h) spring washer (o) to fix the "L"Metal I using Allen Key (j) .

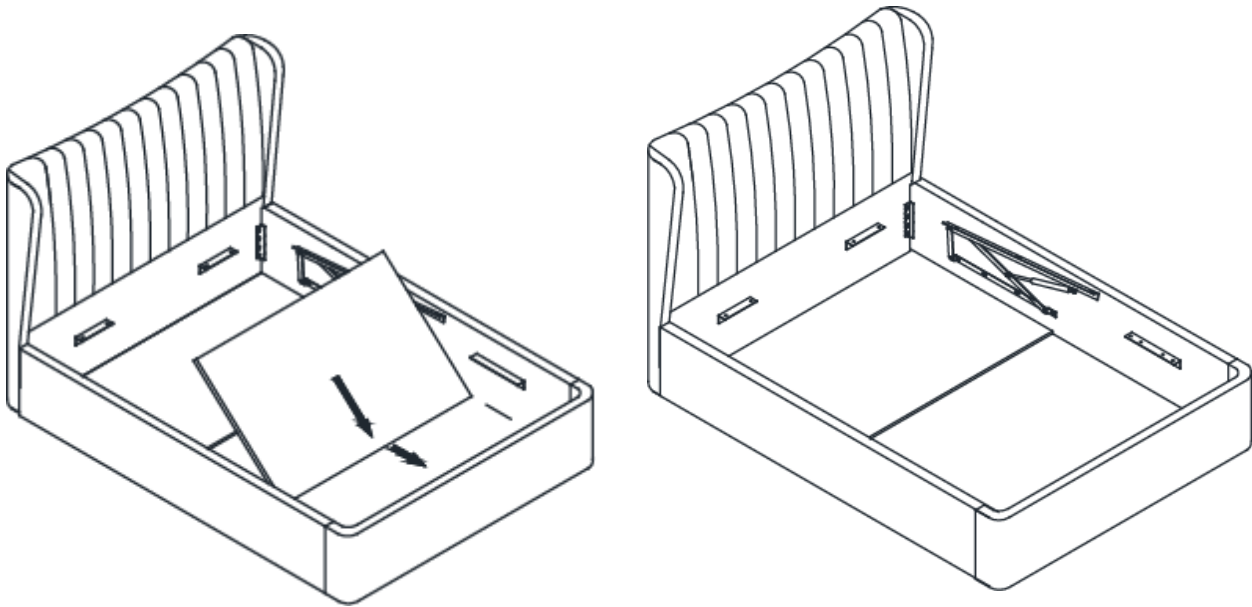
- a  x8
- h  x8
- j  x1
- o  x8



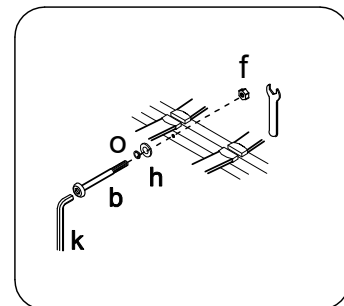
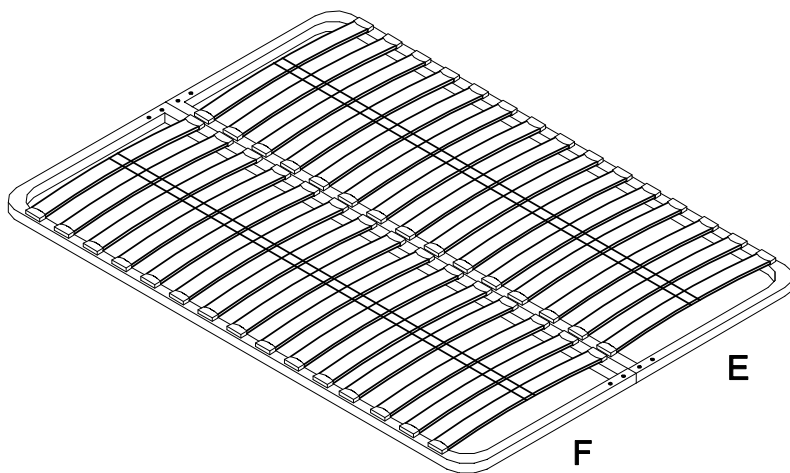
HORTON OTTOMAN BED

STEP 3

With each person standing either side of the bed, slide the bottom panels down between the hinges, Slide the panel all the way to the foot end & head end.



STEP 4



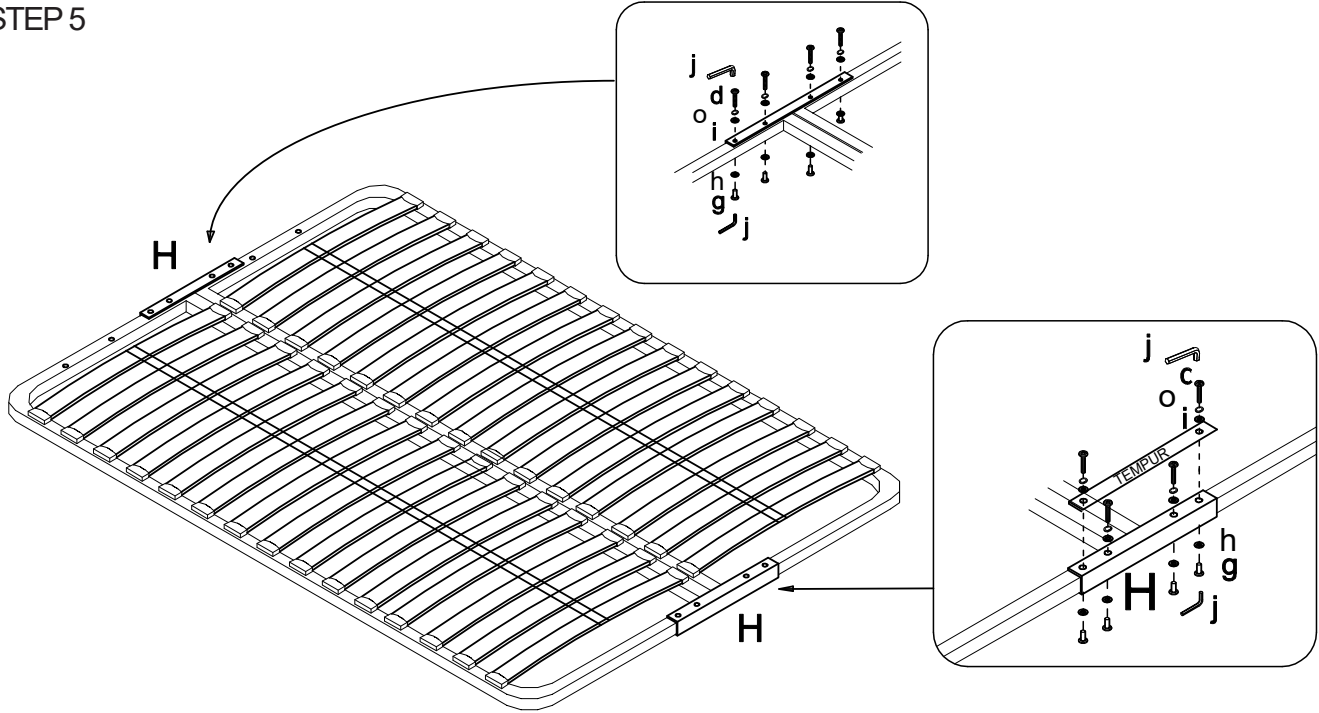
Attach the Base using bolt (b), Washer (h), spring washer (o), nut (f) and Allen key (k), (m)


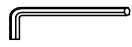




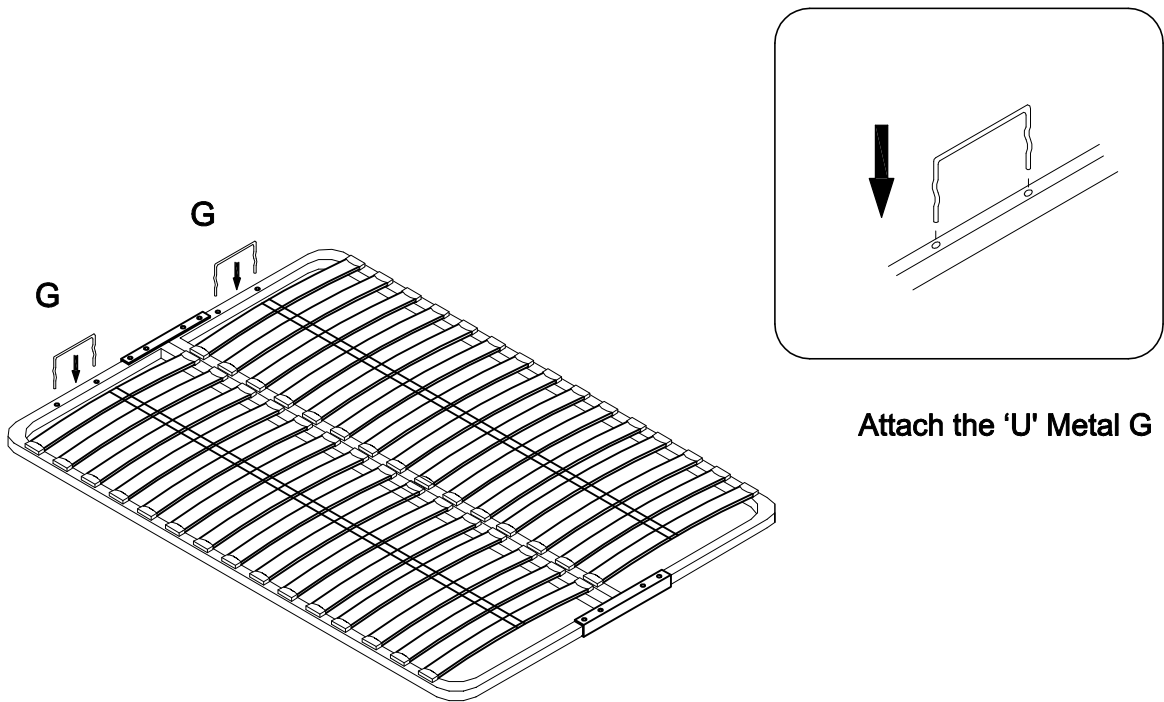
HORTON OTTOMAN BED

STEP 5



- b  x8 h  x8 i  x8 g  x8 j  x2 o  x8

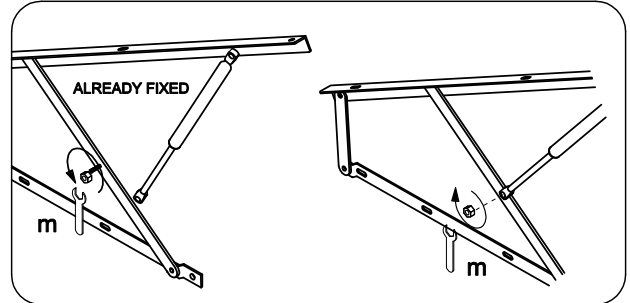
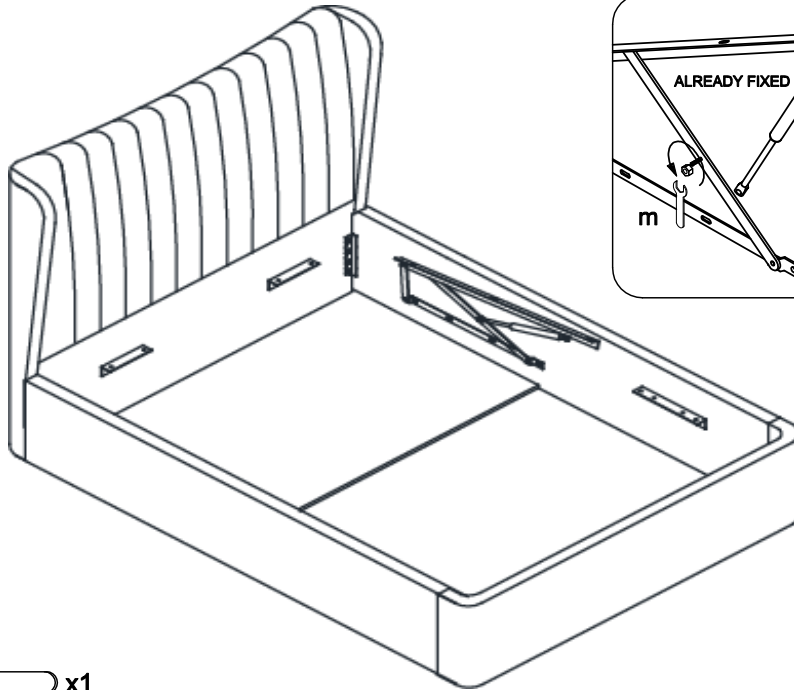
STEP 6

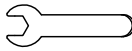




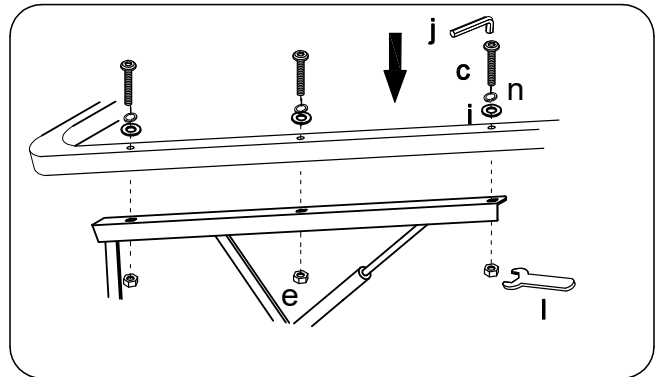
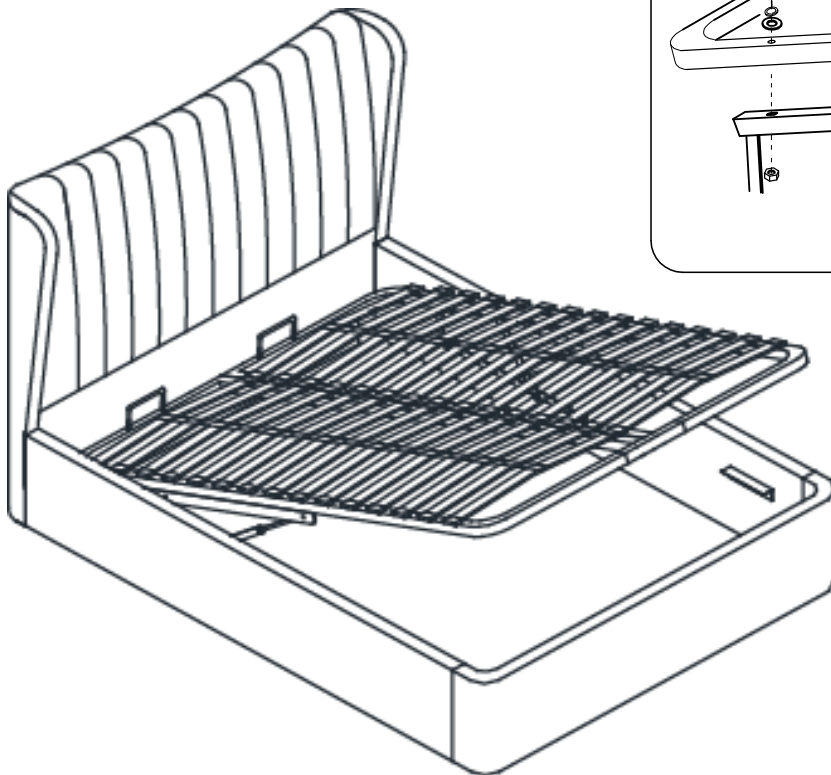
HORTON OTTOMAN BED

STEP 7



l  x1

STEP 8



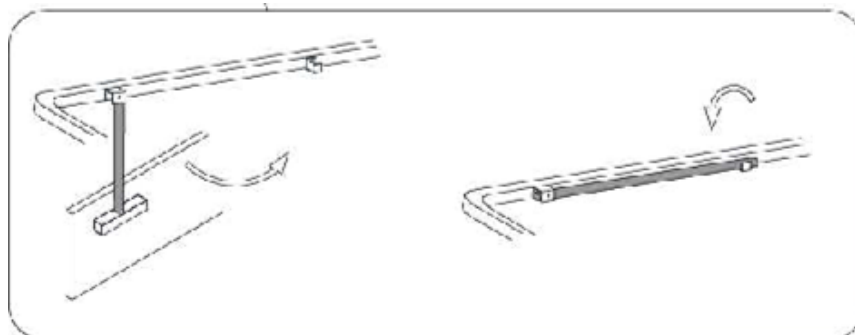
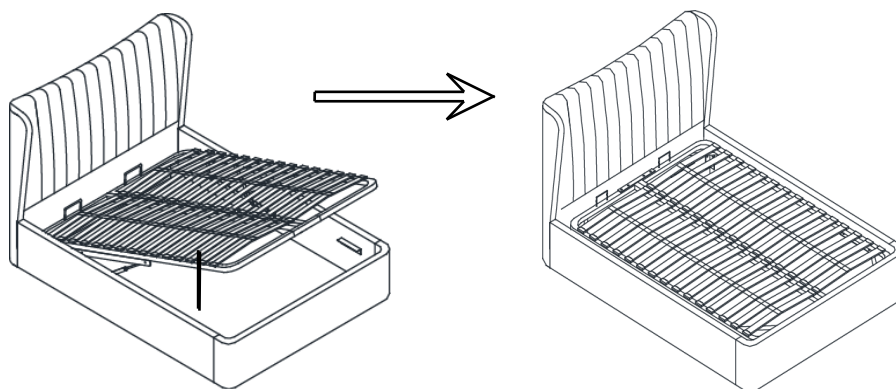
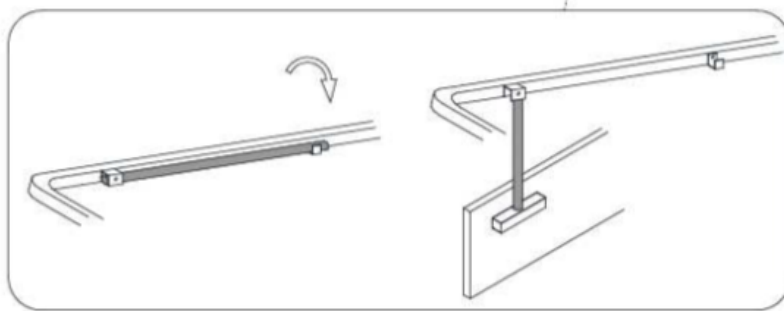
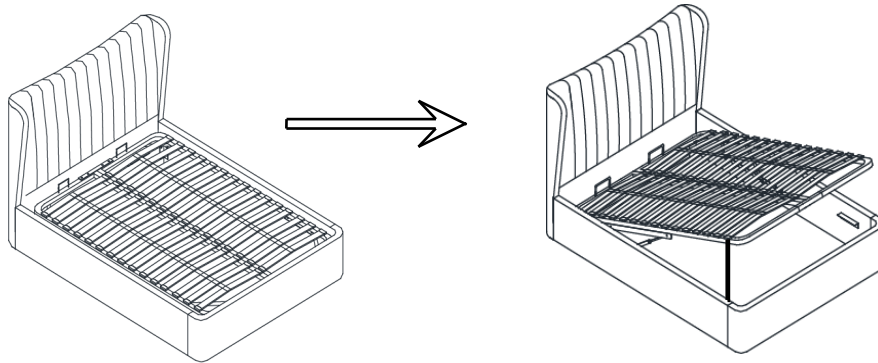
Attach the Base using bolt (c), Washer (i), Nut (n) and Allen key (j),(l)

c  x6 i  x6 e  x6 j  x1 l  x1 n  x6



HORTON OTTOMAN BED

- Always engage the support bar when accessing the storage area
- Beware of entrapment - Never reach in through the mechanism to access the storage area.
- When engaging the ottoman support bar, ensure the slat frame/ platform base is raised to the maximum opening extension point i.e. the uppermost height.
- Locate the support bar from under the slat frame / platform base bracket and guide the support bar into the bracket fixed to the bed frame.
- When you are ready to close the ottoman, carefully locate the support bar and lift it upwards out of the bed frame bracket and guide it back under the slat frame/platform base and secure it using the bracket provided.
- Slowly close the ottoman slat frame / platform base





Warning

- You must ensure that the mattress is on the bed frame before operating the lift mechanism - Failure to do so could result in injury.
- Keep hands clear of the mechanism when opening or closing the ottoman.
- Beware of entrapment - Never reach in through the mechanism to access the storage area.
- Always ensure that the ottoman is FULLY opened before accessing the storage area.
- Do not exceed the maximum mattress weight as specified in the table below:



- Use caution when operating, always use the handle when lifting.
- Note: This bed uses a pressurised mechanism.
- To be operated by adults only.
- Please ensure that children and pets are kept away from the bed when operating the lift mechanism.
- Keep children and pets away from the storage area.
- Do not overload the internal storage base.
- Do not stand inside the internal storage area of the bed.
- Before removing the mattress secure the frame to ensure it does not open unexpectedly.
- Do not attempt to lie on the mattress when the ottoman is in the raised position,
- When lifting the ottoman remove all bedding except the fitted sheet.

care instruction

✘ Avoid exposing the furniture to excessive heat or direct sunlight as this can cause deterioration of the colour.

✘ To clean your items, please lightly wipe with a slightly dampened cloth.

✘ Never allow any kind of liquid to remain on your furniture. Absorption can cause finishes to stain